

Aphrodite Air-Spa system instructions

1 Read these instructions fully before preparing to fit the system to the bath. Please note that the electrical instructions are a guide to United Kingdom requirements and may not apply worldwide. Always use a qualified electrician and comply with local regulations.

2 Fit the legs and feet to the bath in accordance with the bath manufacturers instructions. Ensure that sufficient room is available to site the air blower and pipework.

3 Determine the positions in the bath of control, air trap and jets. Ensure that the control and the air trap are set on the top surface of the bath, well above the overflow level and that sufficient room exists on the underside of the bath for the backnut and pipe connections. The jets will usually be positioned in a pattern on the base of the bath. Some people like to leave a clear area for the seat. Take care to position the jets so that they are fully on the baseboard, not half-and-half. The baseboard must be in full contact with the bath at the jet positions. Ensure that the legs or battens fixed to the base of the bath will not obstruct jet fixing. The jet pattern is optional, to suit the shape of the bath and individual requirements.

4 **Drilling the holes.** The holes for the air trap should be marked out to the template provided. The large holes are 35mm diameter, the small hole and holes for the jets are 13mm diameter. 35mm holes should be produced using a standard hole saw. 13mm. holes are best produced using a glass drill. **A new, sharp twist drill is not recommended as this will tend to chip the plastic and separate it from the base board.** If a twist drill is to be used, the edge should first be removed with an oil stone to produce a negative rake cutting edge. After drilling, remove burrs from around the holes, taking care to avoid chipping.

5 Using a small amount of silicone sealant, position and fix the control and air trap.

6 Fix the jets using silicone sealant, ensure any excess is cleaned off, as this will impair the operation of the water non-return system. The special nut used to fix the jets should be **hand-tightened only**. It is designed to prevent over-tightening.

7 Using the plastic ties, secure the air manifold to the bath frame or adjacent wall, above the overflow level of the bath.

8 Connect the 9mm. bore pipe between

the jets and manifold, starting with the jets farthest away. Secure with clips provided.

9. Position the blower unit so that after bath has been installed **the blower will be inaccessible to persons using the bath.**

10. Measure and cut to length the convoluted pipe and screw on the cuffs. (Maximum 2.5m)

11. Fit the pipe between the blower unit outlet and air trap, also between air trap and manifold.

12. Push small bore pipe firmly on to button and control unit.

13. Prior to installing the bath the system should be tested. This means filling the bath with water to the level of the overflow and leaving it to stand for a period of at least 20 minutes. The system then needs to be tested working with the compressor working. This entails connecting the blower to a mains supply. Electrical connections should only be entrusted to a qualified electrician, and

BATH INSTALLATION ILLUSTRATIONS

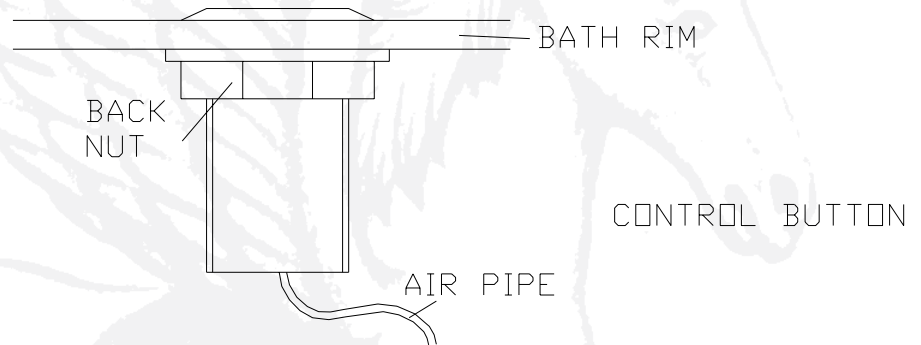


FIG. 1



FIG. 3

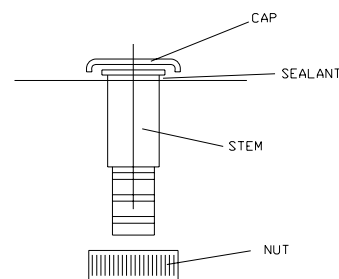


FIG. 4

Aphrodite Air-Spa system instructions

made to existing local standards. In the UK this is I. E. E. Wiring Regulations, 16th. Edition. The electrical supply must be via an Earth leakage circuit breaker (ELCB or RCD), 15 amp. Minimum, 30 milliamp trip switch. The supply should be on a switched fused spur, fitted outside the room in which the bath is to be tested. The supply must be checked to ensure earthing is present and satisfactory.

14. Test procedure:

- Isolate the power.
- Ensure the bath is clear of debris and fill with water.
- Inspect carefully for leaks.
- Switch on power.
- Press on/off button to start system.
- Press button again to stop the system. (NB On 3 speed systems the button needs to be pressed four times to go through the 3 levels of power to off)

BATH INSTALLATION

1 Install the bath as per the bath manufacturer's instructions - the addition of an Aphrodite Spa does not alter the bath installation procedure in any way. Take care to prevent excessive plaster dust or tile grout etc. getting into the bath as this could clog the nozzles.

least 20 minutes. Run the system for five minutes, switch off and check again for leaks.

2 Place the compressor pipe clips on to the cuff of the compressor pipe and push the pipe on to the compressor outlet.

3 Position the compressor under the bath so that the compressor casing is well clear of the underside of the bath and the surrounding wall. Also check at this stage that the bath panel will fit without touching the compressor. Ensure that the air intake is completely free of obstruction and that the filter foam is clean. Mark the position of the compressor on the floor.

4 Remove the upper part of the compressor by undoing the plastic screws at each corner of the electronic control box.

The control box should then be secured to the floor with screws (maximum size no. 8) through the corner fixing holes, Push the air button pipe on to the nozzle located on the side of the control box.

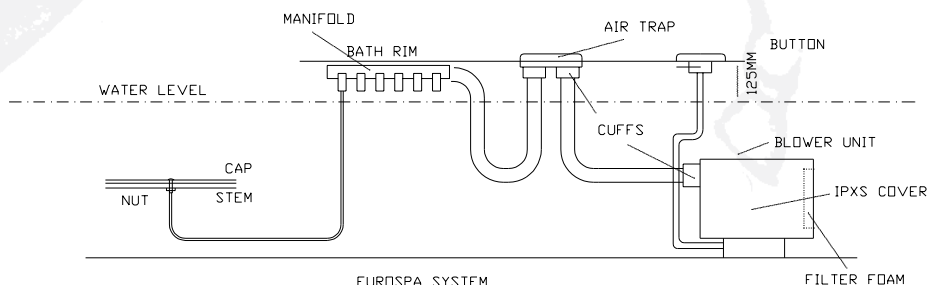
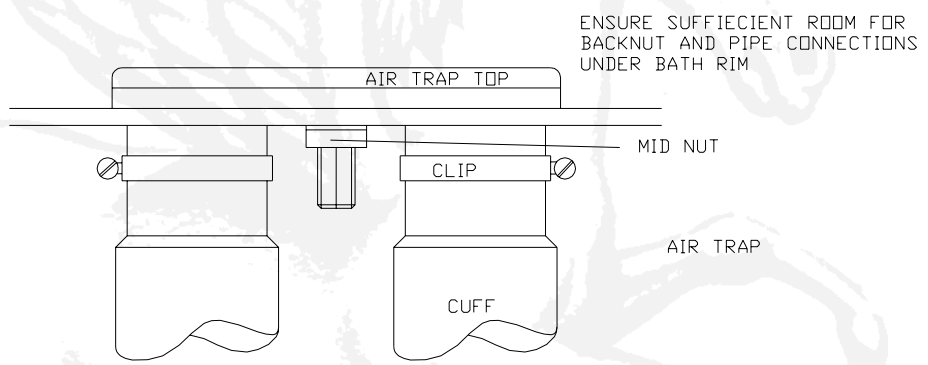
5 The system is now ready for electrical connection. This should only be entrusted to a qualified electrical engineer and be carried out in accordance with, I.E.E., regulations, 15th. Edition. The compressor motor is a single phase 240V 50HZ motor with a full load current of approximately 3 amps dependant on operating conditions. The unit is a double insulated Plastic enclosure with no external metal parts and as such, has; no need or facility for an earth. Connection protection, therefore, must be for short circuit or overcurrent and should take the form of an MCB type B(2) 5 amp to BS3871 or a cartridge fuse, 5 amp, to BS1362. The supply line should be installed on a Switched 13 amp fused spur, fitted outside

the room where the spa bath is installed. The isolating switch should preferably be at a level where young children cannot reach.

6 The compressor should now be re-fitted to the control box and the pipe clip securely tightened.

7 Check the operation of the compressor. Press the button firmly once to start and again to stop. On 3 speed models the compressor will start on the lowest speed, each subsequent press will increase the speed. The final press will turn the system off.

BEFORE FITTING THE PANEL, FILL THE BATH WITH WATER TO THE LEVEL OF THE OVERFLOW AND ENSURE THAT THE WHOLE SYSTEM IS LEAK-FREE FOR A PERIOD OF AT



PEGASUS
HYDROMASSAGE

Office: 15 Cross Lane, Kingsway, Newport, South Wales, NP20 1ES
Showroom: 151 Chepstow Road, Newport, South Wales, NP19 8GE
Warehouse: 61-62 Lower Dock Street, Newport, South Wales NP20 1EF
Telephone: (01633) 244555 Facsimile: (01633) 244881
Email: sales@whiripoolexpress.co.uk Internet: www.whiripoolexpress.co.uk