



Conquest Business Park, Cad Road
Old Way, Ilton, Somerset
TA19 9EA

Tel 0870 9090770 Fax 01460 57605

Website: www.impey-showers.com

Email: info@impey-showers.com

RIW TILES SAFE

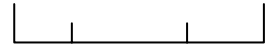
Specification and Method Statement for Application of a Waterproofing System to Wet Rooms prior to Tiling

Index

	PAGE
SPECIFICATION FOR WATERPROOFING OF WET ROOMS AND SIMILAR TILED AREAS	3
SURFACE PREPARATION AND GENERAL ADVICE	
Application Conditions and Storage	4
Surface Preparation	4
APPLICATION OF THE TILES SAFE SYSTEM	
Application of Tilesafe Primer	5
Application of Tilesafe Reinforcing Tape	5-7
Application of Tilesafe Membrane	8
Application of Jointing Compound	8
Application of Tile adhesive and Tiles	9

**Important Note: RIW Tilesafe® has a tile weight loading limit of
20kg/m²for vertical applications**

SPECIFICATION FOR WATERPROOFING OF WET ROOMS AND SIMILAR TILED AREAS



Please note: silicone must not come into contact with this product.

1) **Preparation**

Ensure all surfaces are clean, dry and dust free. Surfaces must be smooth, sound and flat.

2) **System Specification**

The waterproofing system shall be based around an impervious reinforced rubberised bitumen sheet. The reinforcement shall allow a key to subsequent application of tile adhesive and shall provide good tensile strength while allowing a degree of flexibility. The membrane shall be manufactured by an ISO 9000 registered manufacturer and shall be available with a full range of ancillary products including primer, reinforcing tape, putty and jointing compound.

3) **System Application**

The complete system shall be applied strictly in accordance with the approved manufacturers instructions.

Typical Data:

Primer

An acrylic based emulsion primer
Volume solids: 20%

Putty

A non hardening putty compound
Specific Gravity 1.73
Service temperature -15 deg C to +100 deg C
Available in strips of 1kg

Reinforcing Tape

Thickness: 1mm
Adhesion: 2N/mm
Roll Size: 150mm x 15m

Membrane

Thickness: 2mm
Adhesion: 2N/mm
Puncture resistance: In excess of 300N
Roll Size: 1m x 10m
Roll Weight: 22kg
Max. allowable temperature; in service: 32°C

Jointing Compound

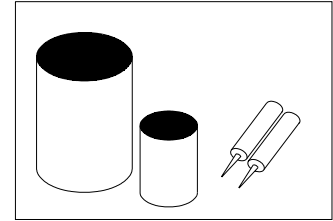
A high quality rubber based sealant curing to form an elastic compound
Service temperature: -20 to + 60 deg C
Application range: 5 to 30 deg C
Tube size 310ml

**Important Note: RIW
Tilesafe® has a tile weight
loading limit of 20kg/m²for
vertical applications**

SURFACE PREPARATION AND GENERAL ADVICE

Application Conditions and Storage

Both the Tilesafe Reinforcing Tape and the Tilesafe Membrane are presented in roll form. The upper side has a visible grid and is protected with a plastic release film, the lower side has a smooth adhesive and is protected by a paper release. The upper release film is normally left in place until the sheet is covered with another material.



Care should be taken to ensure the temperature is at least 10 degrees C. Conditioning of the membrane in a warm area prior to use will enhance its adhesion properties during application.

Tilesafe and ancillary products should be stored in original cartons, upright and out of direct sunlight, below 35 degrees C. Protect from frost. Cartons should not be over stacked.

Prior to commencing application for the day, ensure availability of all required materials and tools.

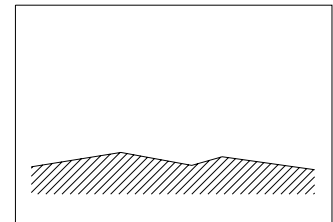
Surface Preparation

All safety data sheets and local health & safety regulations must be observed at all times.

The surface must be clean, dry, free from dust, grease, oil etc, all indentations should be filled and any protrusions struck off.

Contaminated or dusty surfaces should be cleaned, an anti fungicide wash can be used to remove and destroy any biological growth. In cases where the substrate is masonry, suitable high pressure water jetting may also be used. Ensure the substrate is fully dry prior to the application of primer.

Oily or greasy surfaces should be cleaned with a suitable proprietary cleaner and thoroughly rinsed then allowed to dry.

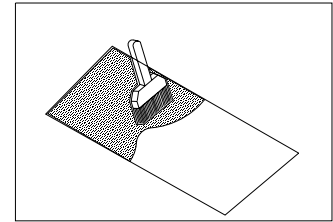


Ensure that both the primer and membrane are compatible with any existing coatings. If in doubt, refer to RIW Limited.

APPLICATION OF THE TILES SAFE SYSTEM

Application of Tilesafe Primer

Prior to application of Tilesafe Primer, the substrate should be fully prepared in accordance with RIW Limited instructions and with any site specifications.



All surfaces should be fully cured and dry. Ensure the primer is thoroughly mixed. It is essential to prime all surfaces.

Apply the primer evenly by brush or roller working into the substrate.

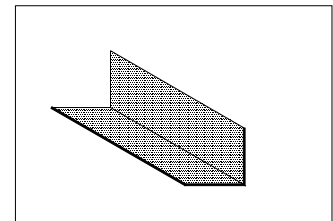
Do not over apply primer, it should not pool or run. The rate of coverage will depend on the porosity of the substrate. An average coverage should be 10 sq.m./litre.

It is good practice to only prime an area sufficient for that days estimated membrane application. Ensure primer is dry before membrane is applied.

If primer becomes wet, allow surface to fully dry prior to membrane application.

Application of Tilesafe Reinforcing Tape

Apply the Tilesafe Reinforcing Tape, grid side up by gradually removing the release paper as work progresses. The upper release film is generally left in place until subsequent applications of tape or membrane. Press the tape carefully into place, ensuring all air is excluded.



For ease of application, Tilesafe Reinforcing Tape should be applied in short strips, with a maximum length of 1 metre.

Jointing

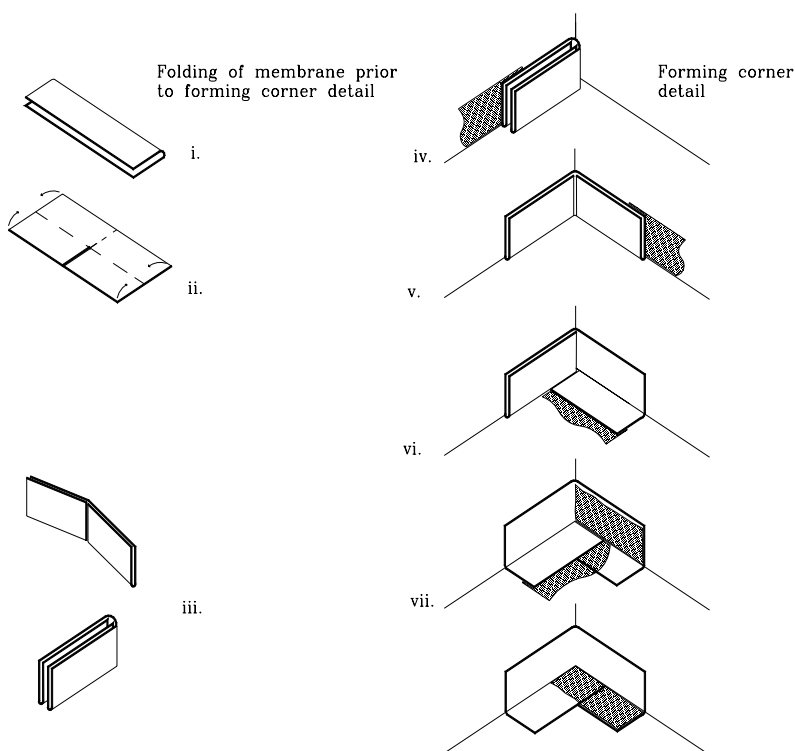
The overlap at the joints of the Tilesafe Reinforcing Tape should be 50mm, ensure joints are staggered so that, where possible, they do not underlay the laps on subsequent layers of Tilesafe Membrane. ENSURE THAT THE BACKING RELEASE FILM IS REMOVED ON THE LOWER LAYER OF THE TILES SAFE REINFORCING TAPE PRIOR TO OVERLAPPING. ALL REMAINING RELEASE FILM SHOULD STAY IN PLACE UNTIL IMMEDIATELY PRIOR TO APPLICATION OF THE TILES SAFE MEMBRANE

Corners

Apply Tilesafe Reinforcing Tape to all wall to wall and wall to floor interfaces.

Detail 1: Internal Corner

Cut a length of Tilesafe Reinforcing tape, 300mm long. Crease in half along the length of the tape, release paper outermost (fig i.). Cut through the Tilesafe Reinforcing tape at a mid point position along the solid line (fig ii). With the sharp blade lightly cut the release paper, along the dotted line (fig ii) taking care not to cut through the tape itself.



iii. Fold the tape in quarters and begin to detail as shown in the diagram.

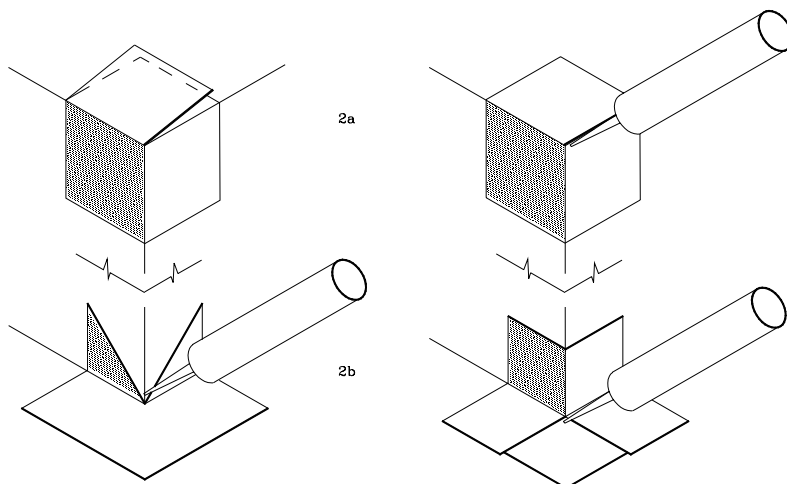
iv. Dress the folded tape to one of the walls tight into the corner and press home, gradually removing the release paper.

v. Follow the same procedure for the opposite wall.

iv. from one of the folded up section and dress down on to the horizontal.

vii. Before dressing the last piece down, peel back the release film from the previously applied horizontal section, so that an overlap bond is achieved.

Detail 2: External corners



2a. Cut a length of Tilesafe to produce a 150mm square. Carefully cut from the centre point to the middle of one edge. Lightly cut the release paper in a cross pattern, taking care not to cut through the tape itself.

Apply tape as shown in diagram 2a.

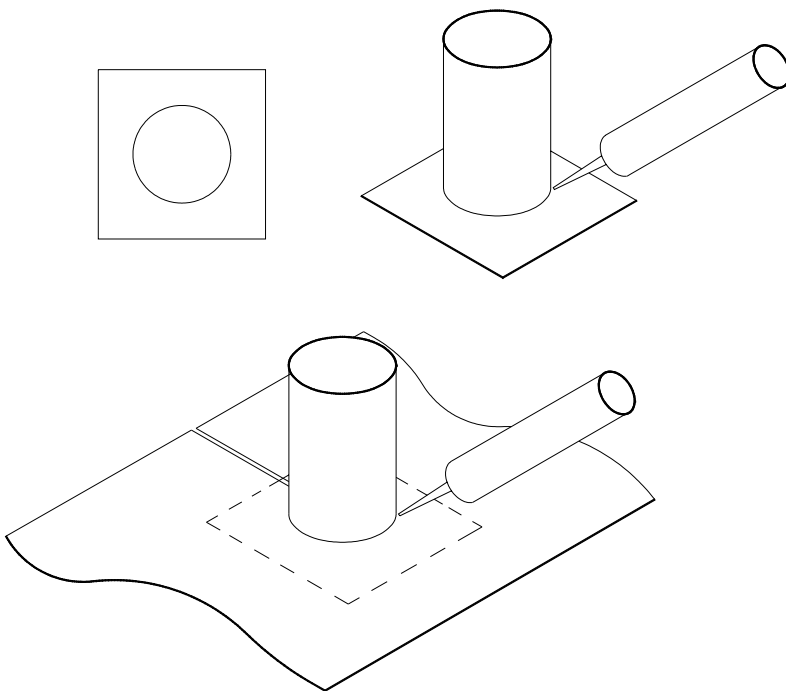
2b. Cut a length of Tilesafe to produce a 150mm square. Carefully

cut a diagonal line from the centre point to one of the outside corners. Cut another length of Tilesafe to produce a 150mm square and make a cut from the centre point to the middle of one edge. Lightly cut the release paper on both squares in a cross pattern (as with internal corner) taking care not to cut through the tape itself. Apply both squares as shown in diagram 2b.

Other Junctions

Tilesafe Reinforcing tape is applied centrally along all wall to wall and wall to floor junctions. All over laps to be 50mm

Pipe Entries



Pipe entries should be examined to ensure that the membrane will be fully supported. Any voids around the pipe should be made good by packing with Tilesafe Putty.

Apply reinforcing tape over the pipe entry, cutting a hole accurately to size and pressing down firmly onto the substrate. For larger pipe entries, the Tilesafe Reinforcing Tape may be applied in two sections, ensuring that the joint runs at right angles to any subsequent cut in the Tilesafe Membrane.

Walls and Floors

Mark out position of Tilesafe Membrane. Apply Tilesafe Reinforcing Tape at the anticipated butt joint positions of the main membrane. The application of the reinforcing tape should be phased to ensure correct alignment as the application of the main membrane progresses.

Use a chalk line if necessary to get an accurate gauge.

All detailing should be carefully rolled to ensure full adhesion, paying particular attention to the overlaps.

Fully inspect the Tilesafe reinforcing tape prior to the application of the Tilesafe membrane.

Application of Tilesafe Membrane

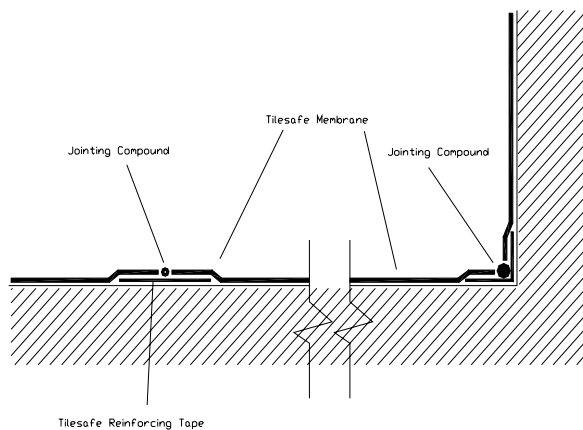
Prior to the application of each length of Tilesafe membrane, remove the plastic film from the underlying Tilesafe Reinforcing Tape.

Apply pre-cut lengths of Tilesafe Membrane to walls first, applying as vertical drops and terminating at the floor/wall junction.(overlapping the reinforcing tape by 75mm).

Tilesafe membrane should be butt jointed rather than overlapped. All butt joints in the membrane should be positioned over the previously applied reinforcing tape, ensuring a gap of 2-3mm is maintained which should be subsequently filled by the Tilesafe jointing compound. Continue in the same manner for floors, cutting membrane around any pipe entries, taking care not to damage the reinforcing tape below.

Application of Jointing Compound

Using an applicator gun, apply Tilesafe Jointing Compound at butt joints, pipe entries and at all wall to wall and wall to floor interfaces.



The compound should be gunned in to the previously formed 2-3mm channels, which should be fully filled.

Tooling can be carried out with a profiling tool within approximately 10 minutes of application.

Allow Tilesafe jointing compound to cure overnight before applying tile adhesive.

The membrane surface and joints should be thoroughly inspected prior to tiling.

Particular attention should be paid to the pipe entries, ensuring seals have not been damaged by following trades between application and tiling. If necessary a re-application of Tilesafe Jointing Compound can be made.

The plastic release film is left in place until immediately prior to tiling

Application of Tile adhesive and Tiles

Prior to the application of the tile adhesive, the plastic backing film must be removed.

Application of tiles to Tilesafe is essentially the same as normal tiling. There are a few points to consider to ensure satisfactory application.

- ❖ DO NOT use solvent based floor tile adhesives or epoxy or polyurethane based adhesives. It is recommended that a single part cement based flexible floor tile adhesive is used (NOT ready mixed)
- ❖ If a batten is to be used for tile alignment, this should be secured to the wall through the backing release film, not after this has been removed.
- ❖ Remove the release film only from those areas where tile adhesive is to be immediately placed.
- ❖ Leave the backing film in place on the floor areas of Tilesafe while tiling the walls.
- ❖ Silicone sealant may react with Tilesafe. If silicone sealant is to be used, for example on bath surrounds, ensure it does not come into direct contact with the Tilesafe.
- ❖ In the unlikely event of the Tilesafe membrane being damaged, it is easily repaired by applying a piece of the reinforcing tape over the damaged area, ensuring a minimum overlap of 50mm.

NOTE:

All the above information should be read in conjunction with RIW Limited standard literature and product information sheets.

Detailing and application should also be in accordance with design drawings and site specification. 'Tilesafe' is a registered Trademark. The Tilesafe system is patented in the U.K.

Important Note: RIW Tilesafe® has a tile weight loading limit of 20kg/m² for vertical applications